





### Description

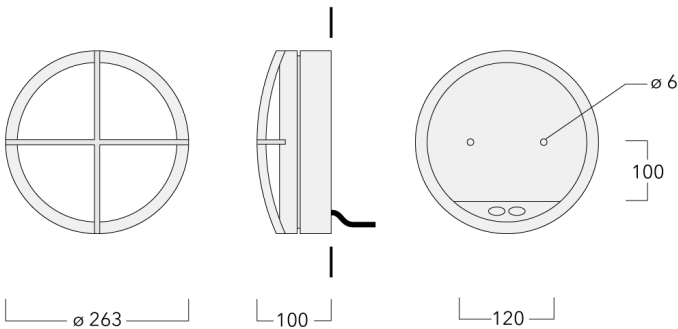
ADA (American Disabilities Act) Compliant.

IP55. Class I. IK10. Marine-grade, die-cast aluminum alloy. 5CE superior corrosion protection including PCS hardware. Silicone CCG® Controlled Compression Gasket. Polycarbonate main lens. Integral driver. Factory-installed LED circuit board. 0-10V Dimming comes standard with luminaire.

Suitable for installation on ceiling or wall over 4" recessed junction box.

Specify product with 7 Digit product code - Finish Color. Accessories, such as mounting, optical, and electrical, must be specified separately.

Example: XXX-XXXX-9004 (Black)  
+ XXX-XXXX (Accessory 1)



## Specifications

### Material description

Body	Luminaire body and lens frame constructed in die cast aluminum.			
Lens	Opal polycarbonate lens.			
Colors	<b>RAL9004</b> Signal black	<b>RAL9016</b> Traffic white	<b>RAL8019</b> Grey brown	<b>RAL9007</b> Grey aluminium
Gasket	Silicone rubber gasket			
Fasteners	PCS polymer coated stainless steel			
Ingress protection	IP55			
Impact resistance	IK10			
Corrosion resistance	5CE			


### Electrical description

Power supply	Integral [ECG] LED driver in 120 or 277 volt. Specify voltage.
Driver / Ballast	Integral EC electronic converter
Surge protection	1/2 kV
Energy efficiency	E (Light source)

### Additional information

Listings	ETL, UL-1598, CSA-C22.2#250.0. Suitable for Wet Locations.
Lifetime	Ta=25°/40° L70B50 > 50000h

**Options**

Light distribution	Color temperature	Nominal Watt
□		0 W
	 2700K	17 W

### Configurations

Light distribution	Part ID	Light source	Delivered lumens	Rated input power	CRI
[]	195-9524_us		1206.6 lm	0 W	80
	195-9525_us		1257.7 lm	0 W	80
	195-0895	LED-1/17W/2700K	1153.6 lm	17 W	80