





Description

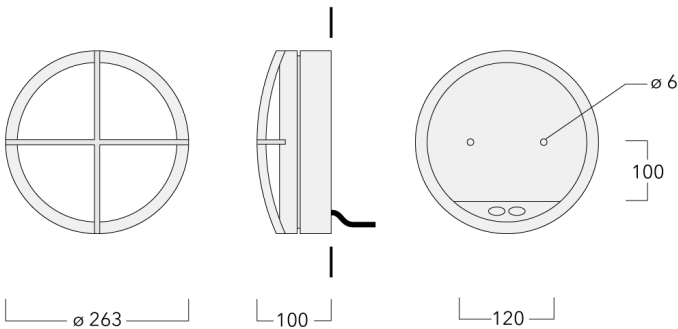
ADA (American Disabilities Act) Compliant.

IP55. Class I. IK10. Marine-grade, die-cast aluminum alloy. 5CE superior corrosion protection including PCS hardware. Silicone CCG® Controlled Compression Gasket. Polycarbonate main lens. Integral driver. Factory-installed LED circuit board. 0-10V Dimming comes standard with luminaire.

Suitable for installation on ceiling or wall over 4" recessed junction box.

Specify product with 7 Digit product code - Finish Color. Accessories, such as mounting, optical, and electrical, must be specified separately.

Example: XXX-XXXX-9004 (Black)
+ XXX-XXXX (Accessory 1)



Specifications

Material description

Body	Luminaire body and lens frame constructed in die cast aluminum.			
Lens	Opal polycarbonate lens.			
Colors	RAL9004	RAL9016	RAL8019	RAL9007
	Signal black	Traffic white	Grey brown	Grey aluminium
Gasket	Silicone rubber gasket			
Fasteners	PCS polymer coated stainless steel			
Ingress protection	IP55			
Impact resistance	IK10			
Corrosion resistance	5CE			




Electrical description

Power supply	Integral [ECG] LED driver in 120 or 277 volt. Specify voltage.
Driver / Ballast	Integral EC electronic converter
Surge protection	1/2 kV
Energy efficiency	E (Light source)

Additional information

Diameter (inches)	10.31
Listings	ETL, UL-1598, CSA-C22.2#250.0. Suitable for Wet Locations.
Lifetime	Ta=25°/40° L70B50 > 50000h

Options

Light distribution	Color temperature	Nominal Watt
□	 3000K	17 W
	 4000K	
	 2700K	

Configurations

Light distribution	Part ID	Light source	Delivered lumens	Rated input power	CRI
□	195-0895	LED-1/17W/2700K	1153.6 lm	17 W	80
	195-9524	LED-1/17W/3000K	1206.6 lm	17 W	80
	195-9525	LED-1/17W/4000K	1257.7 lm	17 W	80