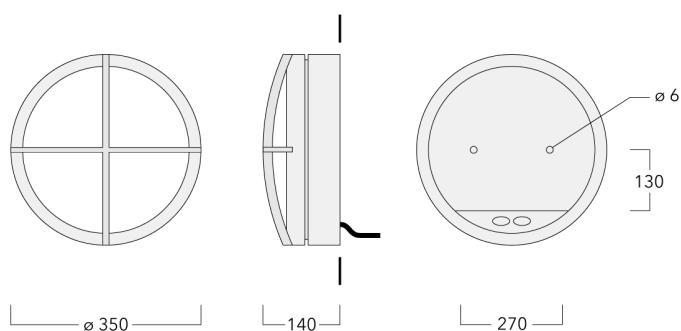






Description

IP55, Class I. Class II on request. IK10. Marine-grade, die-cast aluminium alloy. 5CE superior corrosion protection including PCS hardware. Silicone rubber gasket. Polycarbonate main lens. Two cable entries. Factory installed LED circuit board. Integral EC electronic converter.



Specifications

Material description

Body	Marine-grade die-cast aluminium alloy			
Lens	Polycarbonate lens			
Colours	RAL9004 Signal black	RAL9006 White aluminium	RAL9016 Traffic white	RAL7016 Anthracite grey
	RAL9007 Grey aluminium			
Gasket	Silicone rubber gasket			
Fasteners	PCS Polymer Coated Stainless Steel Hardware			
Ingress protection	IP55			
Impact resistance	IK10			
Corrosion resistance	5CE			

Electrical description

Power supply	220-240V / 50-60 Hz
Driver / Ballast	Integral EC electronic converter
Surge protection	1/2 kV
Energy efficiency	D (Light source)

Additional information

Lifetime	Ta=25° L70B50 > 50000h
----------	------------------------

Options

Light distribution **Colour temperature** **Nominal Watt**

[]



3000K

28 W



4000K



2700K

Configurations

Light distribution	Part ID	Light source	Rated lumens	Rated input power	CRI
[]	195-0896	LED-1/28W/2700K	1457.7 lm	28 W	80
	195-9539	LED-1/28W/3000K	1518.3 lm	28 W	80
	195-9540	LED-1/28W/4000K	1585.2 lm	28 W	80