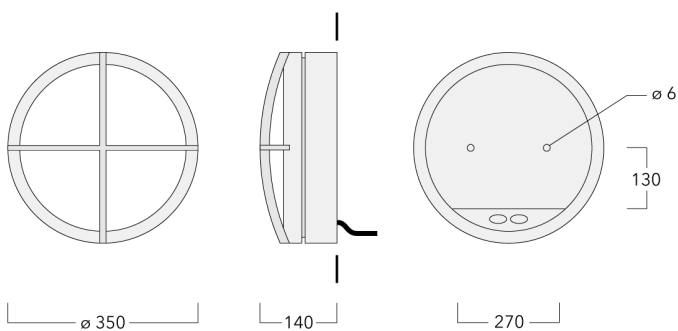




**Description**

IP55, Class I, IK10. Marine-grade, die-cast aluminium alloy. 5CE superior corrosion protection including PCS hardware. Polycarbonate lens. Silicone rubber gasket. Two cable entries.

Integral EC electronic converter. Advanced thermal management protects LEDs while optimising lumens output.



Specifications

Material description

| | | | | |
|----------------------|--|---------------------------------|-----------------------------------|----------------------------------|
| Body | Marine-grade, die-cast aluminium alloy | | | |
| Lens | Polycarbonate lens | | | |
| Colours | RAL9004 Signal black | RAL9016 Traffic white | RAL7016 Anthracite grey | RAL9007 Grey aluminium |
| Gasket | Silicone rubber gasket | | | |
| Fasteners | PCS hardware | | | |
| Ingress protection | IP55 | | | |
| Impact resistance | IK10 | | | |
| Corrosion resistance | 5CE | | | |

Electrical description

| | |
|-------------------|----------------------------------|
| Power supply | 220-240V / 50-60 Hz |
| Driver / Ballast | Integral EC electronic converter |
| Surge protection | 1/2 kV |
| Energy efficiency | D (Light source) |

Additional information

| | |
|----------|------------------------|
| Lifetime | Ta=25° L70B50 > 50000h |
|----------|------------------------|

Options

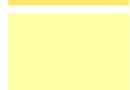
Light distribution **Colour temperature** **Nominal Watt**

[]



3000K

28 W



4000K



2700K

Configurations

| Light distribution | Part ID | Light source | Rated lumens | Rated input power | CRI |
|--------------------|----------|-----------------|--------------|-------------------|-----|
| [] | 195-9558 | LED-1/28W/2700K | 1457.7 lm | 28 W | 80 |
| | 195-9539 | LED-1/28W/3000K | 1518.3 lm | 28 W | 80 |
| | 195-9540 | LED-1/28W/4000K | 1585.2 lm | 28 W | 80 |