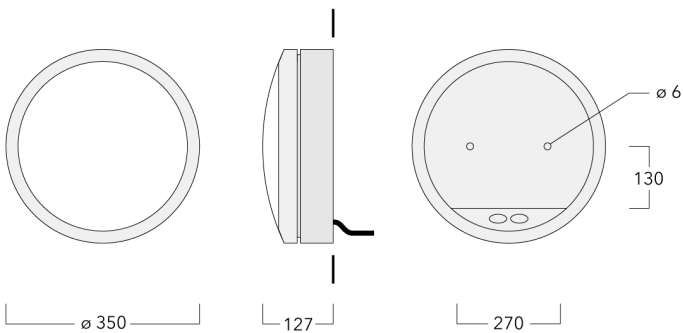




**Description**

IP55, Class I. IK10. Marine-grade, die-cast aluminium alloy. 5CE superior corrosion protection including PCS hardware. Polycarbonate lens. Silicone rubber gasket. Two cable entries.

Integral EC electronic converter. Advanced thermal management protects LEDs while optimising lumens output.



## Specifications

### Material description

Body	Marine-grade, die-cast aluminium alloy			
Lens	Polycarbonate lens			
Colours	<b>RAL9004</b> Signal black	<b>RAL9016</b> Traffic white	<b>RAL7016</b> Anthracite grey	<b>RAL9007</b> Grey aluminium
Gasket	Silicone rubber gasket			
Fasteners	PCS hardware			
Ingress protection	IP55			
Impact resistance	IK10			
Corrosion resistance	5CE			

### Electrical description

Power supply	220-240V / 50-60 Hz
Driver / Ballast	Integral EC electronic converter
Surge protection	1/2 kV
Energy efficiency	D (Light source)

### Additional information

Lifetime	Ta=25° L70B50 > 50000h
----------	------------------------

**Options**

**Light distribution**    **Colour temperature**    **Nominal Watt**

[]



3000K

28 W



4000K



2700K

## Configurations

Light distribution	Part ID	Light source	Rated lumens	Rated input power	CRI
[]	195-9557	LED-1/28W/2700K	1674.7 lm	28 W	80
	195-9536	LED-1/28W/3000K	1744.3 lm	28 W	80
	195-9537	LED-1/28W/4000K	1821.3 lm	28 W	80