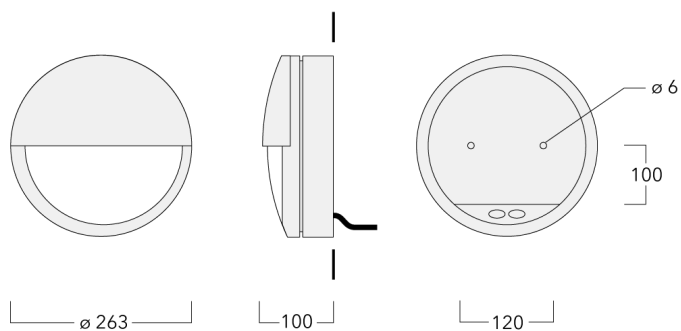






#### Description

IP55, Class I. Class II on request. IK10. Marine-grade, die-cast aluminium alloy. 5CE superior corrosion protection including PCS hardware. Silicone rubber gasket. Polycarbonate main lens. Two cable entries. Factory installed LED circuit board. Integral EC electronic converter.



## Specifications

### Material description

Body	Marine-grade die-cast aluminium alloy								
Lens	Polycarbonate main lens								
Colours	<table><tr><td><b>RAL9004</b> Signal black</td><td><b>RAL9006</b> White aluminium</td><td><b>RAL9016</b> Traffic white</td><td><b>RAL7016</b> Anthracite grey</td></tr><tr><td><b>RAL9007</b> Grey aluminium</td><td></td><td></td><td></td></tr></table>	<b>RAL9004</b> Signal black	<b>RAL9006</b> White aluminium	<b>RAL9016</b> Traffic white	<b>RAL7016</b> Anthracite grey	<b>RAL9007</b> Grey aluminium			
<b>RAL9004</b> Signal black	<b>RAL9006</b> White aluminium	<b>RAL9016</b> Traffic white	<b>RAL7016</b> Anthracite grey						
<b>RAL9007</b> Grey aluminium									
Gasket	Silicone rubber gasket								
Fasteners	PCS Polymer Coated Stainless Steel Hardware								
Ingress protection	IP55								
Impact resistance	IK10								
Corrosion resistance	5CE								

### Electrical description

Power supply	220-240V / 50-60 Hz
Driver / Ballast	Integral EC electronic converter
Surge protection	1/2 kV

### Additional information

Lifetime	Ta=25° L70B50 > 50000h
----------	------------------------

**Options**

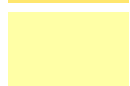
**Light distribution**    **Colour temperature**    **Nominal Watt**

[]



3000K

17 W



4000K



2700K

## Configurations

Light distribution	Part ID	Light source	Rated lumens	Rated input power	CRI
[]	195-0897	LED-1/17W/2700K	2936.3 lm	17 W	80
	195-9527	LED-1/17W/3000K	3071.3 lm	17 W	80
	195-9528	LED-1/17W/4000K	3201.4 lm	17 W	80