

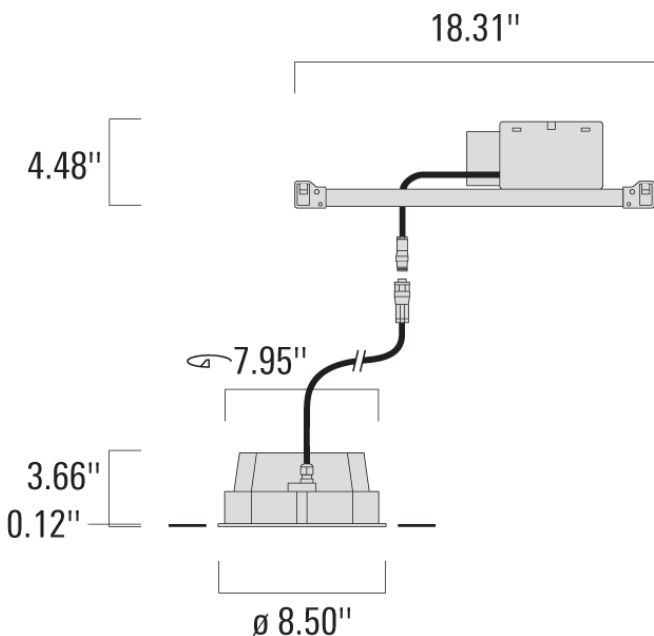
**Description**

DOC140 LED for new construction. For remodel projects, see DOC140 LED [For Remodel] version.

IP66, Class I. IK07. Marine-grade, die-cast aluminum alloy. 5CE superior corrosion protection including PCS hardware. Silicone CCG® Controlled Compression Gasket. Safety glass lens. Separate IP66 driver housing. CAD-optimized optics for superior illumination and glare control. OLC® One LED Concept. Factory installed LED circuit board. 0-10V Dimming comes standard with luminaire.

Specify product with 7 Digit product code - Finish Color. Accessories, such as mounting, optical, and electrical, must be specified separately.

Example: XXX-XXXX - 9004 (Black)  
+ XXX-XXXX (Accessory 1)



### Specifications

#### Material description

---

Colors	 Signal black	 Grey aluminium	 Traffic white	 Grey brown
Ingress protection	IP66			
Impact resistance	IK07			

---

#### Electrical description

#### Additional information

**Options**

Light distribution   Color temperature   Nominal Watt

### Configurations

---

Light distribution	Part ID	Light source	Delivered lumens	Rated input power	CRI
--------------------	---------	--------------	------------------	-------------------	-----

---