

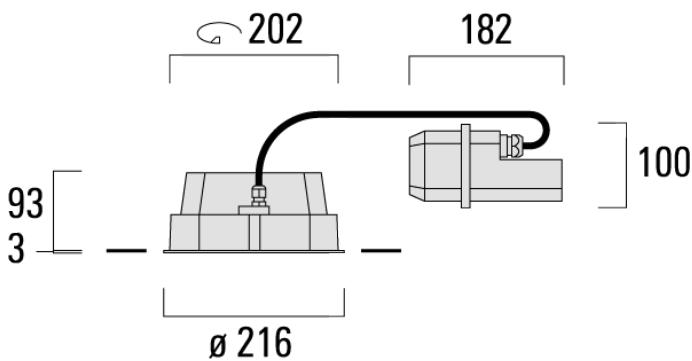


Description

IP66, Class I. Class II on request. IK07. Marine-grade, die-cast aluminium alloy. 5CE superior corrosion protection including PCS hardware. Silicone CCG® gasket. Safety glass lens. Two cable entries. Integral EC electronic converter in thermally separated compartment. CAD-optimised optics for superior illumination and glare control. OLC® One LED Concept. Factory installed LED circuit board. The luminaire is factory-sealed and does not need to be opened during the installation. Optional 2200 K version available. To be specified at time of ordering.

Suitable for mounting up to max. 40 mm ceiling thickness. A pre-installation blockout, proud or flush, is available and recommended for mounting in concrete ceilings. To be ordered separately.

The luminaire is not suitable for chlorine containing environments e.g. swimming pool. Special version suitable for chlorine containing environments, on request. Must be specified at time of ordering.



Specifications

Material description

Body	Marine-grade, die-cast aluminium alloy			
Colours	RAL9004 Signal black	RAL9006 White aluminium	RAL9016 Traffic white	RAL7016 Anthracite grey
	RAL9007 Grey aluminium			
Fasteners	PCS Polymer Coated Stainless Steel Hardware			
Ingress protection	IP66			
Impact resistance	IK07			

Electrical description

Power supply	220-240V / 50-60 Hz
Surge protection	6/6 kV
Energy efficiency	C-D (Light source)

Additional information

Lifetime	Ta=25° L90B10 > 90000h
----------	------------------------

Options

Light distribution



[B] symmetric, wide beam



[M] symmetric, medium beam



[EE] symmetric, very narrow beam

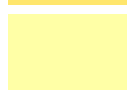


[EES] symmetric, very narrow beam, sharp cut-off

Colour temperature



3000K



4000K







2700K

Nominal Watt

48 W

Configurations

Light distribution	Part ID	Light source	Rated lumens	Rated input power	CRI
	134-1915	LED-24/48W/2700K	5016.9 lm	48 W	80
	134-1750	LED-24/48W/3000K	5388.5 lm	48 W	80
	134-1751	LED-24/48W/4000K	5760.1 lm	48 W	80
[B] symmetric, wide beam					
	134-1917	LED-24/48W/2700K	5573.3 lm	48 W	80
	134-1756	LED-24/48W/3000K	5986.1 lm	48 W	80
	134-1757	LED-24/48W/4000K	6398.9 lm	48 W	80
[EE] symmetric, very narrow beam					
	134-1918	LED-24/48W/2700K	5998.4 lm	48 W	80
	134-1758	LED-24/48W/3000K	6442.7 lm	48 W	80
	134-1759	LED-24/48W/4000K	6887 lm	48 W	80
[EES] symmetric, very narrow beam, sharp cut-off					
	134-1916	LED-24/48W/2700K	5630.1 lm	48 W	80
	134-1752	LED-24/48W/3000K	6047.2 lm	48 W	80
	134-1753	LED-24/48W/4000K	6464.2 lm	48 W	80
[M] symmetric, medium beam					