

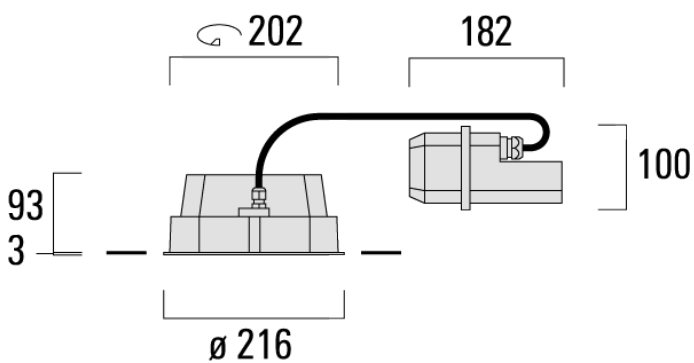


Description

IP66, Class I, IK07. Marine-grade, die-cast aluminium alloy. 5CE superior corrosion protection + primer including PCS hardware. Silicone CCG® gasket. Safety glass lens. Two cable entries. Integral EC electronic converter in thermally separated compartment. CAD-optimised optics for superior illumination and glare control. OLC® One LED Concept. Factory installed LED circuit board. The luminaire is factory-sealed and does not need to be opened during the installation.

A pre-installation blackout, proud or flush, is available and recommended for mounting in concrete ceilings. To be ordered separately.

2700 K option available on request.



Specifications

Material description

Body	Marine-grade die-cast aluminium alloy		
Colours	RAL9004 Signal black	RAL9006 White aluminium	RAL9007 Grey aluminium
Fasteners	PCS Polymer Coated Stainless Steel Hardware (unpainted)		
Ingress protection	IP66		
Impact resistance	IK07		
Corrosion resistance	5CE+Primer		

Electrical description

Power supply	230V / 50 Hz
Driver / Ballast	Integral EC electronic converter in thermally-separated compartment
Surge protection	6/6 kV
Energy efficiency	The product is supplied with 10-year warranty. Please refer to the LED Warranty Statement located on www.we-ef.com for further details.

Additional information

Lifetime	Ta=40° L90B10 > 90000h
----------	------------------------

Options

Light distribution



[B] symmetric, wide beam



[M] symmetric, medium beam



[EE] symmetric, very narrow beam

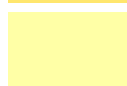


[EES] symmetric, very narrow beam, sharp cut-off

Colour temperature



3000K



4000K







2700K

Nominal Watt

48 W

Configurations

Light distribution	Part ID	Light source	Rated lumens	Rated input power	CRI
	134-1915	LED-24/48W/2700K	5016.9 lm	48 W	80
	134-1750	LED-24/48W/3000K	5388.5 lm	48 W	80
	134-1751	LED-24/48W/4000K	5760.1 lm	48 W	80
[B] symmetric, wide beam					
	134-1917	LED-24/48W/2700K	5573.3 lm	48 W	80
	134-1756	LED-24/48W/3000K	5986.1 lm	48 W	80
	134-1757	LED-24/48W/4000K	6398.9 lm	48 W	80
[EE] symmetric, very narrow beam					
	134-1918	LED-24/48W/2700K	5998.4 lm	48 W	80
	134-1758	LED-24/48W/3000K	6442.7 lm	48 W	80
	134-1759	LED-24/48W/4000K	6887 lm	48 W	80
[EES] symmetric, very narrow beam, sharp cut-off					
	134-1916	LED-24/48W/2700K	5630.1 lm	48 W	80
	134-1752	LED-24/48W/3000K	6047.2 lm	48 W	80
	134-1753	LED-24/48W/4000K	6464.2 lm	48 W	80
[M] symmetric, medium beam					