

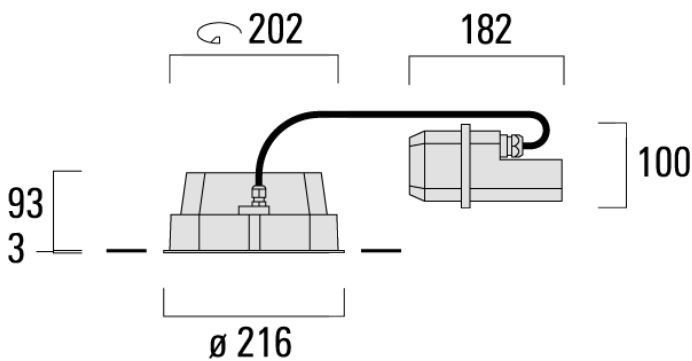


**Description**

IP66, Class I. IK07. Marine-grade, die-cast aluminium alloy. 5CE superior corrosion protection including PCS hardware. Safety glass lens. CCG® gasket.

Integral EC electronic converter in thermally-separated compartment. Advanced thermal management protects LEDs while optimising lumens output. CAD-optimised optics for superior illumination and glare control. OLC® One LED Concept. Two cable entries.

Pre-installation blackout is recommended for mounting in cast concrete ceilings, available on request.



## Specifications

### Material description

Body	Marine-grade, die-cast aluminium alloy			
Colours	<b>RAL9004</b> Signal black	<b>RAL9016</b> Traffic white	<b>RAL7016</b> Anthracite grey	<b>RAL9007</b> Grey aluminium
Fasteners	PCS Polymer Coated Stainless Steel Hardware			
Ingress protection	IP66			
Impact resistance	IK07			

### Electrical description

Power supply	220-240V / 50-60 Hz
Driver / Ballast	Integral EC electronic converter in thermally-separated compartment
Surge protection	6/6 kV
Energy efficiency	C-D (Light source)

### Additional information

Lifetime	Ta=25° L90B10 > 90000h
----------	------------------------

## Options

### Light distribution



[B] symmetric, wide beam



[M] symmetric, medium beam



[EE] symmetric, very narrow beam

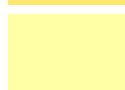


[EES] symmetric, very narrow beam, sharp cut-off

### Colour temperature



3000K



4000K







2700K

### Nominal Watt

48 W

## Configurations

Light distribution	Part ID	Light source	Rated lumens	Rated input power	CRI
	134-1915	LED-24/48W/2700K	5016.9 lm	48 W	80
	134-1750	LED-24/48W/3000K	5388.5 lm	48 W	80
	134-1751	LED-24/48W/4000K	5760.1 lm	48 W	80
[B] symmetric, wide beam					
	134-1917	LED-24/48W/2700K	5573.3 lm	48 W	80
	134-1756	LED-24/48W/3000K	5986.1 lm	48 W	80
	134-1757	LED-24/48W/4000K	6398.9 lm	48 W	80
[EE] symmetric, very narrow beam					
	134-1918	LED-24/48W/2700K	5998.4 lm	48 W	80
	134-1758	LED-24/48W/3000K	6442.7 lm	48 W	80
	134-1759	LED-24/48W/4000K	6887 lm	48 W	80
[EES] symmetric, very narrow beam, sharp cut-off					
	134-1916	LED-24/48W/2700K	5630.1 lm	48 W	80
	134-1752	LED-24/48W/3000K	6047.2 lm	48 W	80
	134-1753	LED-24/48W/4000K	6464.2 lm	48 W	80
[M] symmetric, medium beam					