

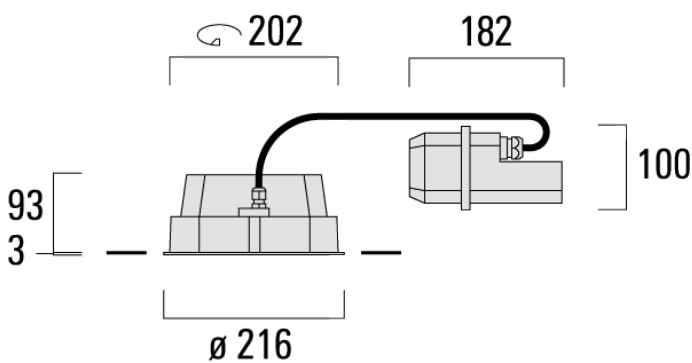


Description

IP66, Class I. Class II on request. IK07. Marine-grade, die-cast aluminium alloy. 5CE superior corrosion protection including PCS hardware. Silicone CCG® gasket. Safety glass lens. Two cable entries. Integral EC electronic converter in thermally separated compartment. CAD-optimised optics for superior illumination and glare control. OLC® One LED Concept. Factory installed LED circuit board. The luminaire is factory-sealed and does not need to be opened during the installation. Optional 2200 K version available. To be specified at time of ordering.

Suitable for mounting up to max. 40 mm ceiling thickness. A pre-installation blockout, proud or flush, is available and recommended for mounting in concrete ceilings. To be ordered separately.

The luminaire is not suitable for chlorine containing environments e.g. swimming pool. Special version suitable for chlorine containing environments, on request. Must be specified at time of ordering.



Specifications

Material description

| | | | | |
|--------------------|---|-----------------------------------|---------------------------------|-----------------------------------|
| Body | Marine-grade, die-cast aluminium alloy | | | |
| Colours | RAL9004 Signal black | RAL9006 White aluminium | RAL9016 Traffic white | RAL7016 Anthracite grey |
| | RAL9007 Grey aluminium | | | |
| Fasteners | PCS Polymer Coated Stainless Steel Hardware | | | |
| Ingress protection | IP66 | | | |
| Impact resistance | IK07 | | | |

Electrical description

| | |
|-------------------|---------------------|
| Power supply | 220-240V / 50-60 Hz |
| Surge protection | 6/6 kV |
| Energy efficiency | C-D (Light source) |

Additional information

| | |
|----------|------------------------|
| Lifetime | Ta=25° L90B10 > 90000h |
|----------|------------------------|

Options**Light distribution Colour temperature Nominal Watt**

[B]



3000K

48 W



[M]



4000K



[EE]







2700K



[EES]

Configurations

| Light distribution | Part ID | Light source | Rated lumens | Rated input power | CRI |
|---|----------|------------------|--------------|-------------------|-----|
|  | 134-1915 | LED-24/48W/2700K | 5016.9 lm | 48 W | 80 |
| | 134-1750 | LED-24/48W/3000K | 5388.5 lm | 48 W | 80 |
| | 134-1751 | LED-24/48W/4000K | 5760.1 lm | 48 W | 80 |
| [B] | | | | | |
|  | 134-1917 | LED-24/48W/2700K | 5573.3 lm | 48 W | 80 |
| | 134-1756 | LED-24/48W/3000K | 5986.1 lm | 48 W | 80 |
| | 134-1756 | LED-24/48W/3000K | 5986.1 lm | 48 W | 80 |
| [EE] | 134-1757 | LED-24/48W/4000K | 6398.9 lm | 48 W | 80 |
| | 134-1757 | LED-24/48W/4000K | 6398.9 lm | 48 W | 80 |
|  | 134-1918 | LED-24/48W/2700K | 5998.4 lm | 48 W | 80 |
| | 134-1758 | LED-24/48W/3000K | 6442.7 lm | 48 W | 80 |
| | 134-1758 | LED-24/48W/3000K | 6442.7 lm | 48 W | 80 |
| | 134-1759 | LED-24/48W/4000K | 6887 lm | 48 W | 80 |
| | 134-1759 | LED-24/48W/4000K | 6887 lm | 48 W | 80 |
| [EES] | | | | | |
|  | 134-1916 | LED-24/48W/2700K | 5630.1 lm | 48 W | 80 |
| | 134-1752 | LED-24/48W/3000K | 6047.2 lm | 48 W | 80 |
| | 134-1752 | LED-24/48W/3000K | 6047.2 lm | 48 W | 80 |
| | 134-1753 | LED-24/48W/4000K | 6464.2 lm | 48 W | 80 |
| | 134-1753 | LED-24/48W/4000K | 6464.2 lm | 48 W | 80 |
| [M] | | | | | |