

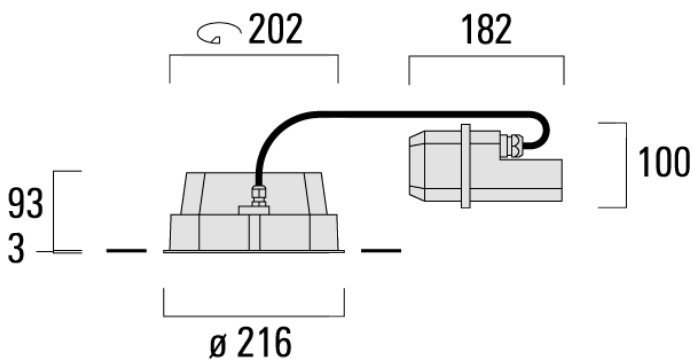


Description

IP66, Class I. IK07. Marine-grade, die-cast aluminium alloy. 5CE superior corrosion protection including PCS hardware. Safety glass lens. CCG® gasket.

Integral EC electronic converter in thermally-separated compartment. Advanced thermal management protects LEDs while optimising lumens output. CAD-optimised optics for superior illumination and glare control. OLC® One LED Concept. Two cable entries.

Pre-installation blackout is recommended for mounting in cast concrete ceilings, available on request.



Specifications

Material description

Body	Marine-grade, die-cast aluminium alloy			
Colours	RAL9004 Signal black	RAL9016 Traffic white	RAL7016 Anthracite grey	RAL9007 Grey aluminium
Fasteners	PCS Polymer Coated Stainless Steel Hardware			
Ingress protection	IP66			
Impact resistance	IK07			

Electrical description

Power supply	220-240V / 50-60 Hz
Driver / Ballast	Integral EC electronic converter in thermally-separated compartment
Surge protection	6/6 kV
Energy efficiency	C-D (Light source)

Additional information

Lifetime	Ta=25° L90B10 > 90000h
----------	------------------------

Options**Light distribution Colour temperature Nominal Watt**

[B]

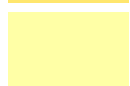


3000K

48 W



[M]



4000K



[EE]







2700K



[EES]

Configurations

Light distribution	Part ID	Light source	Rated lumens	Rated input power	CRI
	134-1915	LED-24/48W/2700K	5016.9 lm	48 W	80
	134-1750	LED-24/48W/3000K	5388.5 lm	48 W	80
	134-1751	LED-24/48W/4000K	5760.1 lm	48 W	80
[B]					
	134-1917	LED-24/48W/2700K	5573.3 lm	48 W	80
	134-1756	LED-24/48W/3000K	5986.1 lm	48 W	80
	134-1756	LED-24/48W/3000K	5986.1 lm	48 W	80
	134-1757	LED-24/48W/4000K	6398.9 lm	48 W	80
[EE]					
	134-1757	LED-24/48W/4000K	6398.9 lm	48 W	80
	134-1918	LED-24/48W/2700K	5998.4 lm	48 W	80
	134-1758	LED-24/48W/3000K	6442.7 lm	48 W	80
	134-1758	LED-24/48W/3000K	6442.7 lm	48 W	80
	134-1759	LED-24/48W/4000K	6887 lm	48 W	80
[EES]					
	134-1759	LED-24/48W/4000K	6887 lm	48 W	80
	134-1916	LED-24/48W/2700K	5630.1 lm	48 W	80
	134-1752	LED-24/48W/3000K	6047.2 lm	48 W	80
	134-1752	LED-24/48W/3000K	6047.2 lm	48 W	80
	134-1753	LED-24/48W/4000K	6464.2 lm	48 W	80
[M]					
	134-1753	LED-24/48W/4000K	6464.2 lm	48 W	80