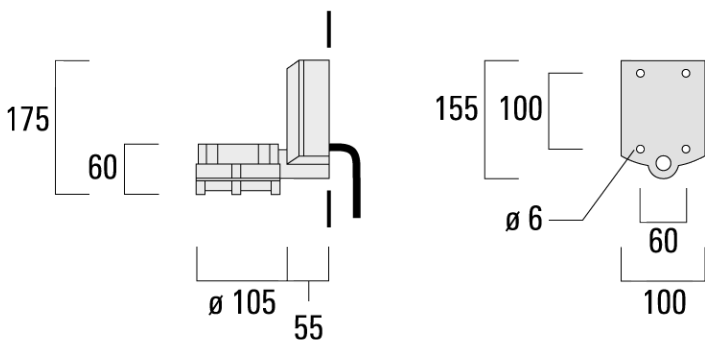




Description

IP55. IK07. Marine-grade, die-cast aluminium alloy. 5CE superior corrosion protection including PCS hardware. Safety glass lens. Silicone CCG® Controlled Compression Gasket.

Integral EC electronic converter in thermally-separated compartment. Advanced thermal management protects LEDs while optimising lumens output. CAD-optimised optics for superior illumination and glare control. OLC® One LED Concept.



Specifications

Material description

Body	Marine-grade, die-cast aluminium alloy			
Lens	Safety glass lens			
Colours	RAL9004	RAL9016	RAL7016	RAL9007
	Signal black	Traffic white	Anthracite grey	Grey aluminium
Gasket	Silicone CCG® Controlled Compression Gasket			
Fasteners	PCS hardware			
Impact resistance	IK07			
Corrosion resistance	5CE			

Electrical description

Driver / Ballast	Integral EC electronic converter in thermally-separated compartment
------------------	---

Additional information

Options

Light distribution

Colour temperature

Nominal Watt



[M] symmetric, medium beam

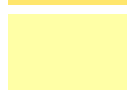


3000K

12 W



[EE] symmetric, very narrow beam



4000K







[EES] symmetric, very narrow beam, sharp cut-off



[B] symmetric, wide beam

Configurations

Light distribution	Part ID	Light source	Rated lumens	Rated input power	CRI
	145-9383	LED-6/12W/3000K	1347.1 lm	12 W	80
	145-9385	LED-6/12W/4000K	1440 lm	12 W	80
[B] symmetric, wide beam					
	145-9375	LED-6/12W/3000K	1496.5 lm	12 W	80
	145-9378	LED-6/12W/4000K	1599.7 lm	12 W	80
[EE] symmetric, very narrow beam					
	145-9382	LED-6/12W/3000K	1610.7 lm	12 W	80
	145-9384	LED-6/12W/4000K	1721.8 lm	12 W	80
[EES] symmetric, very narrow beam, sharp cut-off					
	145-9374	LED-6/12W/3000K	1511.8 lm	12 W	80
	145-9377	LED-6/12W/4000K	1616.1 lm	12 W	80
[M] symmetric, medium beam					