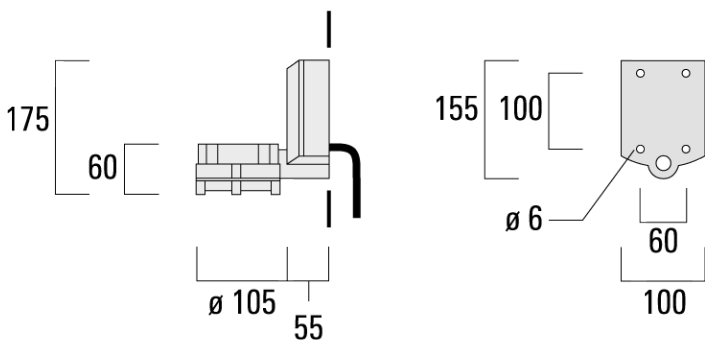




Description

IP55. IK07. Marine-grade, die-cast aluminium alloy. 5CE superior corrosion protection including PCS hardware. Safety glass lens. Silicone CCG® Controlled Compression Gasket.

Integral EC electronic converter in thermally-separated compartment. Advanced thermal management protects LEDs while optimising lumens output. CAD-optimised optics for superior illumination and glare control. OLC® One LED Concept.



Specifications

Material description

Body	Marine-grade, die-cast aluminium alloy								
Lens	Safety glass lens								
Colours	<table><tr><td>RAL9004</td><td>RAL9016</td><td>RAL7016</td><td>RAL9007</td></tr><tr><td>Signal black</td><td>Traffic white</td><td>Anthracite grey</td><td>Grey aluminium</td></tr></table>	RAL9004	RAL9016	RAL7016	RAL9007	Signal black	Traffic white	Anthracite grey	Grey aluminium
RAL9004	RAL9016	RAL7016	RAL9007						
Signal black	Traffic white	Anthracite grey	Grey aluminium						
Gasket	Silicone CCG® Controlled Compression Gasket								
Fasteners	PCS hardware								
Impact resistance	IK07								
Corrosion resistance	5CE								

Electrical description

Driver / Ballast	Integral EC electronic converter in thermally-separated compartment
------------------	---





Additional information

Options

Light distribution Colour temperature Nominal Watt

	[M]		3000K	12 W
	[EE]		4000K	
	[EES]			
	[B]			

Configurations

Light distribution	Part ID	Light source	Rated lumens	Rated input power	CRI
	145-9383	LED-6/12W/3000K	1347.1 lm	12 W	80
	145-9385	LED-6/12W/4000K	1440 lm	12 W	80
[B]					
	145-9375	LED-6/12W/3000K	1496.5 lm	12 W	80
	145-9378	LED-6/12W/4000K	1599.7 lm	12 W	80
[EE]					
	145-9382	LED-6/12W/3000K	1610.7 lm	12 W	80
	145-9384	LED-6/12W/4000K	1721.8 lm	12 W	80
[EES]					
	145-9374	LED-6/12W/3000K	1511.8 lm	12 W	80
	145-9377	LED-6/12W/4000K	1616.1 lm	12 W	80
[M]					