



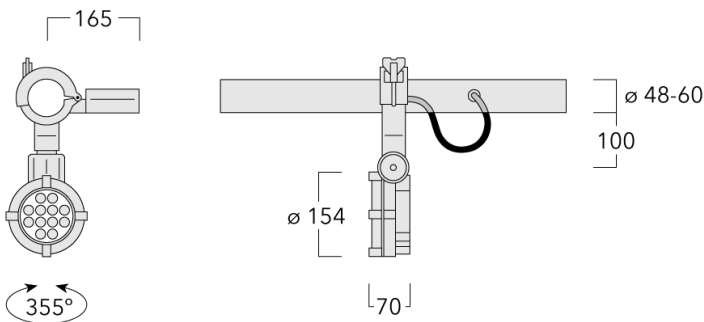


**Description**

IP66. Class I. IK07. Marine-grade, die-cast aluminum alloy. 5CE superior corrosion protection including PCS hardware. Silicone CCG® Controlled Compression Gasket. Safety glass lens. Includes 1 ft of flexible cable enclosed in a stainless conduit, in-line connector and mounting clamp for installation to RAIL66 mounting system. CAD-optimized optics for superior illumination and glare control. Integral driver in thermally separated compartment. OLC® One LED Concept. Factory-installed LED circuit board. 0-10V Dimming comes standard with luminaire.

Specify product with 7 Digit product code - Finish Color. Accessories, such as mounting, optical, and electrical, must be specified separately.

Example: XXX-XXXX-9004 (Black)  
+ XXX-XXXX (Accessory 1)



**Specifications**

**Material description**

Body	Marine-grade die-cast aluminum alloy			
Lens	Clear tempered glass lens			
Colors	<b>RAL9004</b>	<b>RAL9016</b>	<b>RAL8019</b>	<b>RAL9007</b>
	Signal black	Traffic white	Grey brown	Grey aluminium
Gasket	Silicone rubber gasket			
Fasteners	PCS Polymer Coated Stainless Steel hardware			
Ingress protection	IP66			
Impact resistance	IK07			
Corrosion resistance	5CE			

**Electrical description**

Power supply	Integral [ECG] electronic driver 120V-277V. 0-10V dimmable, to be specified with order.
Driver / Ballast	Integral EC electronic converter in thermally-separated compartment
Surge protection	1/2 kV
Energy efficiency	C-D (Light source)

**Additional information**

Listings	ETL listed. Suitable for wet locations.
Lifetime	Ta=25°/40° L90B10 > 90000h

**Options**

**Light distribution**

**Color temperature**

**Nominal Watt**



[M] symmetric, medium beam

0 W



[VNS] symmetric, very narrow beam, sharp cut-off




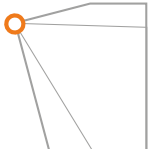


[W] bi-symmetric, wide beam



[VN] symmetric, very narrow beam

## Configurations

Light distribution	Part ID	Light source	Delivered lumens	Rated input power	CRI
	146-0411_us		2998.6 lm	0 W	80
	146-0412_us		3205.4 lm	0 W	80
	146-0981_us		2791.8 lm	0 W	80
[M] symmetric, medium beam					
	146-0533_us		2883.7 lm	0 W	80
	146-0534_us		3082.5 lm	0 W	80
	146-0982_us		2684.8 lm	0 W	80
[VN] symmetric, very narrow beam					
	146-0414_us		3077.9 lm	0 W	80
	146-0415_us		3290.2 lm	0 W	80
	146-0983_us		2865.6 lm	0 W	80
[VNS] symmetric, very narrow beam, sharp cut-off					
	146-0530_us		2709.2 lm	0 W	80
	146-0531_us		2896 lm	0 W	80
	146-0980_us		2522.3 lm	0 W	80
[W] bi-symmetric, wide beam					