



**Description**

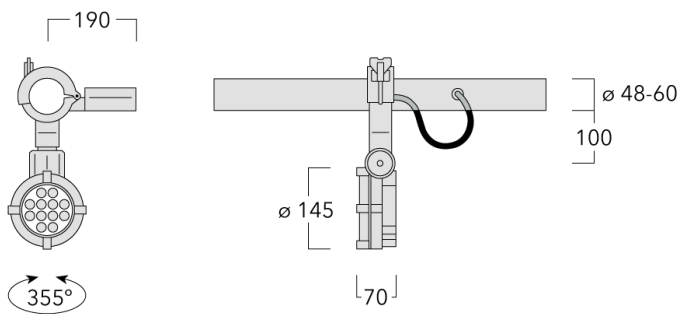
IP66, Class I. IK07. Marine-grade, die-cast aluminium alloy. 5CE superior corrosion protection + primer including PCS hardware. Safety glass lens. Silicone CCG® Controlled Compression Gasket.

Integral EC electronic converter in thermally-separated compartment. Advanced thermal management protects LEDs while optimising lumens output. CAD-optimised optics for superior illumination and glare control. OLC\_R\_ One LED Concept.

Including terminal box, for mounting on  $\varnothing$  48-60 mm pipes or space frames.

2700 K option available on request.

If ordering a fitting to be installed on an existing rail, please confirm the rail version with your local distributor or our customer excellence team as connectors vary.



## Specifications

### Material description

Body	Marine-grade, die-cast aluminium alloy		
Lens	Safety glass lens		
Colours	<div style="background-color: black; color: white; padding: 5px; text-align: center;">RAL9004</div> Signal black	<div style="background-color: #cccccc; padding: 5px; text-align: center;">RAL9006</div> White aluminium	<div style="background-color: #999999; padding: 5px; text-align: center;">RAL9007</div> Grey aluminium
Gasket	Silicone CCG® Controlled Compression Gasket		
Fasteners	PCS Polymer Coated Stainless Steel Hardware (unpainted)		
Impact resistance	IK07		
Corrosion resistance	5CE+Primer		

### Electrical description

Power supply	230V / 50 Hz
Driver / Ballast	Integral EC electronic converter in thermally-separated compartment
Energy efficiency	The product is supplied with 10-year warranty. Please refer to the LED Warranty Statement located on <a href="http://www.we-ef.com">www.we-ef.com</a> for further details.

### Additional information

**Options**

**Light distribution**



[B] symmetric, wide beam



[M] symmetric, medium beam



[EE] symmetric, very narrow beam



[EES] symmetric, very narrow beam, sharp cut-off

**Colour temperature**



3000K







4000K

**Nominal Watt**

24 W

## Configurations

Light distribution	Part ID	Light source	Rated lumens	Rated input power	CRI
	146-7014	LED-12/24W/3000K	2709.2 lm	24 W	80
	146-7020	LED-12/24W/4000K	2896 lm	24 W	80
[B] symmetric, wide beam					
	146-7016	LED-12/24W/3000K	2883.7 lm	24 W	80
	146-7022	LED-12/24W/4000K	3082.5 lm	24 W	80
[EE] symmetric, very narrow beam					
	146-7017	LED-12/24W/3000K	3077.9 lm	24 W	80
	146-7023	LED-12/24W/4000K	3290.2 lm	24 W	80
[EES] symmetric, very narrow beam, sharp cut-off					
	146-7015	LED-12/24W/3000K	2998.6 lm	24 W	80
[M] symmetric, medium beam					