

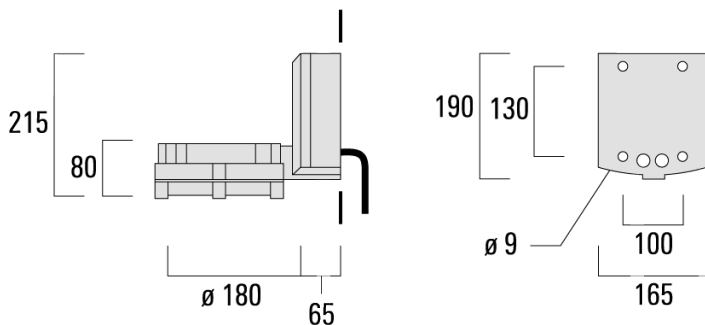




Description

IP55. IK07. Marine-grade, die-cast aluminium alloy. 5CE superior corrosion protection including PCS hardware. Safety glass lens. Silicone CCG® Controlled Compression Gasket.

Integral EC electronic converter in thermally-separated compartment. Advanced thermal management protects LEDs while optimising lumens output. CAD-optimised optics for superior illumination and glare control. OLC® One LED Concept.



Specifications

Material description

Body	Marine-grade, die-cast aluminium alloy			
Lens	Safety glass lens			
Colours	RAL9004	RAL9016	RAL7016	RAL9007
	Signal black	Traffic white	Anthracite grey	Grey aluminium
Gasket	Silicone CCG® Controlled Compression Gasket			
Fasteners	PCS hardware			
Impact resistance	IK07			
Corrosion resistance	5CE			

Electrical description

Driver / Ballast	Integral EC electronic converter in thermally-separated compartment
------------------	---

Additional information

Options

Light distribution



[B] symmetric, wide beam



[M] symmetric, medium beam



[EE] symmetric, very narrow beam



[EES] symmetric, very narrow beam, sharp cut-off

Colour temperature



3000K







4000K

Nominal Watt

48 W

Configurations

Light distribution	Part ID	Light source	Rated lumens	Rated input power	CRI
	146-9959	LED-24/48W/3000K	5388.5 lm	48 W	80
	146-9964	LED-24/48W/4000K	5760.1 lm	48 W	80
[B] symmetric, wide beam	146-9957	LED-24/48W/3000K	5986.1 lm	48 W	80
	146-9962	LED-24/48W/4000K	6398.9 lm	48 W	80
	[EE] symmetric, very narrow beam	146-9956	LED-24/48W/3000K	6442.7 lm	48 W
	146-9961	LED-24/48W/4000K	6887 lm	48 W	80
	[EES] symmetric, very narrow beam, sharp cut-off	146-9958	LED-24/48W/3000K	6047.2 lm	48 W
	146-9963	LED-24/48W/4000K	6464.2 lm	48 W	80
	[M] symmetric, medium beam				