

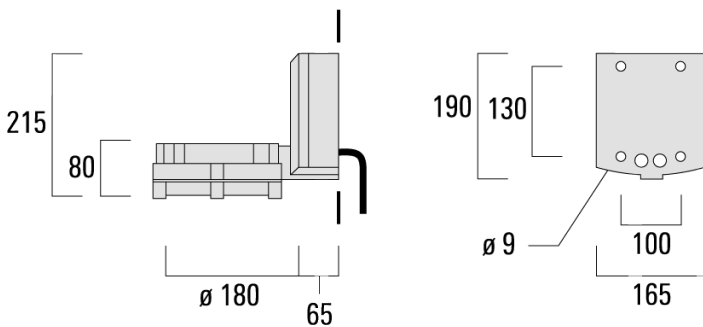




**Description**

IP55. IK07. Marine-grade, die-cast aluminium alloy. 5CE superior corrosion protection including PCS hardware. Safety glass lens. Silicone CCG® Controlled Compression Gasket.

Integral EC electronic converter in thermally-separated compartment. Advanced thermal management protects LEDs while optimising lumens output. CAD-optimised optics for superior illumination and glare control. OLC® One LED Concept.



## Specifications

### Material description

Body	Marine-grade, die-cast aluminium alloy			
Lens	Safety glass lens			
Colours	<b>RAL9004</b>	<b>RAL9016</b>	<b>RAL7016</b>	<b>RAL9007</b>
	Signal black	Traffic white	Anthracite grey	Grey aluminium
Gasket	Silicone CCG® Controlled Compression Gasket			
Fasteners	PCS hardware			
Impact resistance	IK07			
Corrosion resistance	5CE			

### Electrical description

Driver / Ballast	Integral EC electronic converter in thermally-separated compartment
------------------	---

### Additional information

**Options**

**Light distribution    Colour temperature    Nominal Watt**



[B]



3000K

48 W



[M]



4000K







[EE]



[EES]

## Configurations

Light distribution	Part ID	Light source	Rated lumens	Rated input power	CRI
	146-9959	LED-24/48W/3000K	5388.5 lm	48 W	80
	146-9964	LED-24/48W/4000K	5760.1 lm	48 W	80
[B]					
	146-9957	LED-24/48W/3000K	5986.1 lm	48 W	80
	146-9962	LED-24/48W/4000K	6398.9 lm	48 W	80
[EE]					
	146-9956	LED-24/48W/3000K	6442.7 lm	48 W	80
	146-9961	LED-24/48W/4000K	6887 lm	48 W	80
[EES]					
	146-9958	LED-24/48W/3000K	6047.2 lm	48 W	80
	146-9963	LED-24/48W/4000K	6464.2 lm	48 W	80
[M]					