





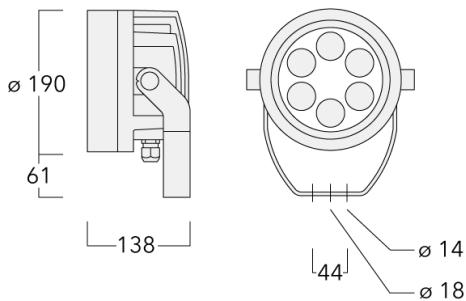
**Description**

Tunable White.

IP66. Class I. IK07. Marine-grade, die-cast aluminum alloy. 5CE superior corrosion protection including PCS hardware. Silicone CCG® Controlled Compression Gasket. Safety glass lens. One cable gland, second gland for through wiring on request. CAD-optimized optics for superior illumination and glare control. Integral driver, thermally separated. OLC® One LED Concept. Factory-installed LED circuit board. Tunable White technology. DMX interface.

Specify product with 7 Digit product code - Finish Color. Accessories, such as mounting, optical, and electrical, must be specified separately.

Example: XXX-XXXX-9004 (Black)  
+ XXX-XXXX (Accessory 1)



**Specifications**

**Material description**

Colors	<b>RAL9004</b> Signal black	<b>RAL9007</b> Grey aluminium	<b>RAL9016</b> Traffic white	<b>RAL8019</b> Grey brown
Ingress protection	IP66			
Impact resistance	IK07			

**Electrical description**

Power supply	Integral [ECG] electronic driver 120V-277V. DMX enabled driver.
Driver / Ballast	120-277V DMX
Surge protection	Integral 10kV Surge Protector
Energy efficiency	E (Lichtquelle)

**Additional information**

Diameter (inches)	7.48
Listings	ETL, UL-1598, CSA-C22.2#250.0. Suitable for Wet Locations.
Windage	0.372
Lifetime	Ta=25°/40° L90B10 > 90000h

**Options**

**Light distribution**    **Color temperature**    **Nominal Watt**



[B]

2200-6000K

22 W






[E]



[M]

**Configurations**

Light distribution	Part ID	Light source	Delivered lumens	Rated input power	CRI
	139-2041	LED-6/22W/2200-6000K	2043.5 lm	22 W	80
[B]					
	139-2043	LED-6/22W/2200-6000K	2080.3 lm	22 W	80
	139-2043	LED-6/22W/2200-6000K	2080.3 lm	22 W	80
[E]					
	139-2042	LED-6/22W/2200-6000K	2027.4 lm	22 W	80
[M]					