





Description

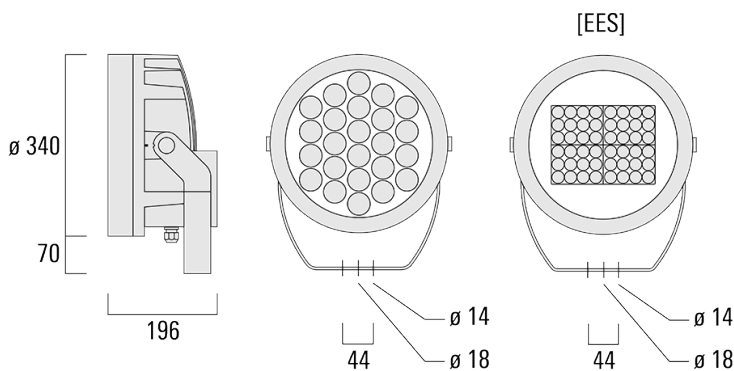
RGBW/RGBA Color Changer.

IP66. Class I. IK07. Marine-grade, die-cast aluminum alloy. 5CE superior corrosion protection including PCS hardware. Silicone CCG® Controlled Compression Gasket. Safety glass lens. One cable gland, second gland for through wiring on request. CAD-optimized optics for superior illumination and glare control. Integral driver, thermally separated. OLC® One LED Concept. Factory-installed LED circuit board. DMX interface.

For the M20 cable gland for network- and DMX-connection, WE-EF recommends a multi-core cable for DMX and power, "Power PUR-SR 3x1.5 + DMX".

Specify product with 7 Digit product code - Finish Color. Accessories, such as mounting, optical, and electrical, must be specified separately.

Example: XXX-XXXX-9004 (Black)
+ XXX-XXXX (Accessory 1)



Specifications

Material description

Body	Marine-grade, die-cast aluminium alloy			
Lens	Safety glass lens			
Colors	RAL9004	RAL9016	RAL8019	RAL9007
	Signal black	Traffic white	Grey brown	Grey aluminium
Gasket	Silicone CCG® Controlled Compression Gasket			
Fasteners	PCS Polymer Coated Stainless Steel hardware			
Ingress protection	IP66			
Impact resistance	IK07			
Corrosion resistance	5CE			

Electrical description

Power supply	Integral [ECG] electronic driver 120V-277V.
Surge protection	Integral 10kV Surge Protector

Additional information

Listings	ETL, UL-1598, CSA-C22.2#250.0. Suitable for Wet Locations. Meets ANSI C136.31 - 3G Vibration Rating for Bridge and Overpass Applications.
Windage	1.176
Lifetime	Ta=25°/40° L90B10 > 90000h

Options

Light distribution

Color temperature

Nominal Watt



[M] symmetric, medium beam

RGBW

96 W

84 W



[N] bi-symmetric, narrow beam

RGBA





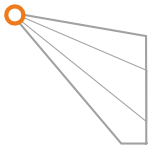
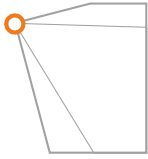
[W] bi-symmetric, wide beam

4000K+RGBW



[EES] symmetric, very narrow beam, sharp cut-off

Configurations

Light distribution	Part ID	Light source	Delivered lumens	Rated input power	CRI
	139-2424	LED-4x12/84W/4000K+RGBW	5146.6 lm	84 W	80
	139-2426	LED-4x12/84W/RGBA	5094.6 lm	84 W	80
[EES] symmetric, very narrow beam, sharp cut-off					
	139-2142_us	LED-24/96W/RGBA	6504.2 lm	96 W	80
	139-1877_us	LED-24/96W/RGBW	7258.3 lm	96 W	80
[M] symmetric, medium beam					
	139-2141_us	LED-24/96W/RGBA	6379.9 lm	96 W	80
	139-1879_us	LED-24/96W/RGBW	7119.6 lm	96 W	80
[N] bi-symmetric, narrow beam					
	139-2140_us	LED-24/96W/RGBA	6053.8 lm	96 W	80
	139-1931_us	LED-24/96W/RGBW	6755.7 lm	96 W	80
[W] bi-symmetric, wide beam					