



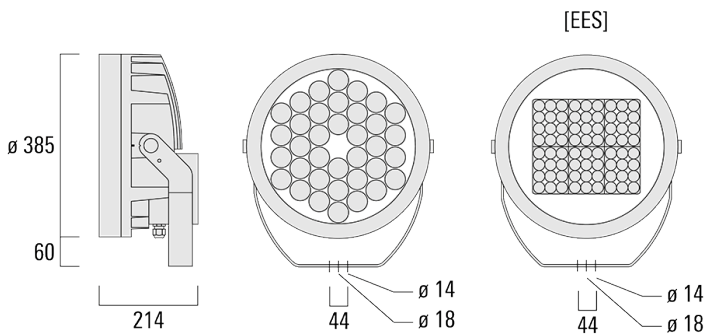


**Description**

Tunable white projector. IP66. Class I. IK07. Marine-grade, die-cast aluminium alloy. 5CE superior corrosion protection including PCS hardware. Safety glass lens. Silicone CCG\_R\_ Controlled Compression Gasket. Two cable glands.

Integral EC electronic converter in thermally-separated compartment. Advanced thermal management protects LEDs while optimising lumens output. CAD-optimised optics for superior illumination and glare control. OLC\_R\_ One LED Concept. LED circuit board with Tunable White Technology.

DALI Interface . For other control interface options to suit specific project requirements, contact WE-EF.



## Specifications

### Material description

Colours	<b>RAL9004</b> Signal black	<b>RAL9007</b> Grey aluminium	<b>RAL7016</b> Anthracite grey	<b>RAL9016</b> Traffic white
Ingress protection	IP66			
Impact resistance	IK07			

### Electrical description

Power supply	220-240V / 50-60 Hz
Surge protection	1/2 kV (optional SP10)
Energy efficiency	E (Light source)

### Additional information

Lifetime	Ta=25° L90B10 > 90000h
----------	------------------------

**Options**

**Light distribution    Colour temperature    Nominal Watt**



[B]

2200-6000K

132 W

72 W



[M]

2700-6000K







[E]



[EES]

### Configurations

Light distribution	Part ID	Light source	Rated lumens	Rated input power	CRI
 [B]	139-2050	LED-36/132W/2200-6000K	11447.3 lm	132 W	80
	139-2052	LED-36/132W/2200-6000K	12386.8 lm	132 W	80
 [E]	139-2052	LED-36/132W/2200-6000K	12386.8 lm	132 W	80
	139-2052	LED-36/132W/2200-6000K	12386.8 lm	132 W	80
 [EES]	139-2431	LED-72/72W/2700-6000K	6386.9 lm	72 W	80
	139-2431	LED-72/72W/2700-6000K	6386.9 lm	72 W	80
 [M]	139-2051	LED-36/132W/2200-6000K	12174 lm	132 W	80
	139-2051	LED-36/132W/2200-6000K	12174 lm	132 W	80