

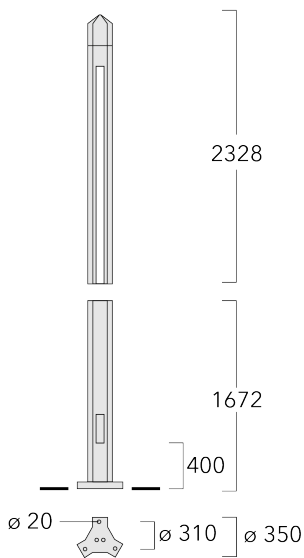


WE-EF LIGHTING USA, LLC

410-D Keystone Drive, 15086 Warrendale, PA 15086 - Phone: +1 724 742 0030

customersupport.usa@we-ef.com - <https://we-ef.com/us>

Subject to technical changes and errors. - Generated on 04/11/2026



Description

IP44, Class I. IK10. Marine-grade aluminium construction. 5CE superior corrosion protection including PCS hardware. Silicone rubber gaskets. Prismatic polycarbonate lenses, 3 x 120° offset.

Service door with fused cable connecting box.

Specifications

Material description

Body	Marine-grade, all-aluminium construction			
Lens	Prismatic polycarbonate lenses, 3 x 120° offset			
Colors	RAL9004 Signal black	RAL9016 Traffic white	RAL8019 Grey brown	RAL9007 Grey aluminium
Gasket	Silicone rubber gasket			
Fasteners	PCS Polymer Coated Stainless Steel hardware			
Ingress protection	IP44			
Impact resistance	IK10			
Corrosion resistance	5CE			



Electrical description

Power supply	Integral [ECG] electronic driver 120V-277V. 0-10V dimmable, to be specified with order.
Driver / Ballast	Integral EC electronic converter
Energy efficiency	B-C (Light source)

Additional information

Height (inches)	157.48
Listings	ETL listed. Suitable for wet locations.
Lifetime	Ta=25°/40° L70B50 > 50000h

Options

Light distribution	Color temperature	Nominal Watt
□	 3000K	37 W
	 4000K	

Configurations

Light distribution	Part ID	Light source	Delivered lumens	Rated input power	CRI
□	116-0207	LED-1/37W/3000K	2546.5 lm	37 W	80
	116-0205	LED-1/37W/4000K	2656.2 lm	37 W	80