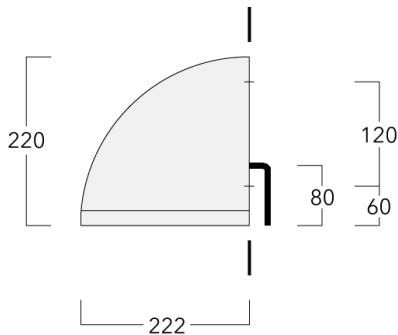


220



Description

IP66. IK08. Marine-grade, die-cast aluminium alloy. 5CE superior corrosion protection + primer including PCS hardware. Powdercoat finish in black RAL 9004, grey aluminium RAL 9007 or white RAL 9016. Safety glass lens. Silicone rubber gasket.

Integral EC electronic converter. Advanced thermal management protects LEDs while optimising lumens output. CAD-optimised optics for superior illumination and glare control. OLC® One LED Concept. Two cable entries. Optional 2200 K version available. To be specified at time of ordering.

Luminaire can be mounted for up or down lighting.

IK10 on request with polycarbonate lens.

Can be mounted up or down.

Specifications

Material description

Body	Marine-grade die-cast aluminium alloy		
Lens	Safety glass lens		
Colours	RAL9004	RAL9006	RAL9007
	Signal black	White aluminium	Grey aluminium
Fasteners	PCS Polymer Coated Stainless Steel Hardware (unpainted)		
Ingress protection	IP65		
Impact resistance	IK07		
Corrosion resistance	5CE+Primer		

Electrical description

Power supply	230V / 50 Hz
Driver / Ballast	Standard. Optional DALI version available. To be specified at time of ordering.
Surge protection	1/2 kV (optional SP10)
Energy efficiency	The product is supplied with 10-year warranty. Please refer to the LED Warranty Statement located on www.we-ef.com for further details.

Additional information

Lifetime	Ta=40° L90B10 > 90000h
----------	------------------------

Options

Light distribution



[M] symmetric, medium beam

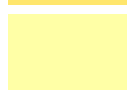


[EES] symmetric, very narrow beam, sharp cut-off

Colour temperature



3000K



4000K





2700K

Nominal Watt

12 W

18 W

Configurations

Light distribution	Part ID	Light source	Rated lumens	Rated input power	CRI
 <p>[EES] symmetric, very narrow beam, sharp cut-off</p>	132-0635	LED-12/12W/2700K	1539 lm	12 W	80
	132-0524	LED-12/12W/3000K	1645.1 lm	12 W	80
	132-0525	LED-12/12W/4000K	1804.3 lm	12 W	80
	132-0636	LED-12/18W/2700K	2122.7 lm	18 W	80
	132-0534	LED-12/18W/3000K	2281.9 lm	18 W	80
	132-0535	LED-12/18W/4000K	2441.1 lm	18 W	80
 <p>[M] symmetric, medium beam</p>	132-0633	LED-12/12W/2700K	1499.3 lm	12 W	80
	132-0522	LED-12/12W/3000K	1602.7 lm	12 W	80
	132-0523	LED-12/12W/4000K	1757.8 lm	12 W	80
	132-0634	LED-12/18W/2700K	2068 lm	18 W	80
	132-0532	LED-12/18W/3000K	2223.1 lm	18 W	80
	132-0533	LED-12/18W/4000K	2378.2 lm	18 W	80