



Description

Recessed Wall Luminaire.

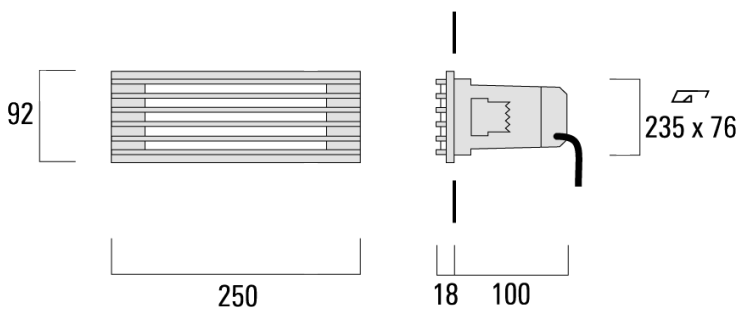
ADA (American Disabilities Act) Compliant.

IP55. Class I. Marine-grade, die-cast aluminum alloy. 5CE superior corrosion protection including PCS hardware. Silicone CCG® Controlled Compression Gasket. Polycarbonate main lens. Two cable entries. 0-10V Dimming standard.

A pre-installation blockout is available and recommended for mounting in concrete walls; to be ordered separately.

Specify product with 7 Digit product code - Finish Color. Accessories, such as mounting, optical, and electrical, must be specified separately.

Example: XXX-XXXX-9004 (Black)
+ XXX-XXXX (Accessory 1)



Specifications

Material description

Body	Luminaire body and lens frame constructed in die cast aluminum.			
Lens	Opal polycarbonate lens.			
Colors	RAL9004 Signal black	RAL9016 Traffic white	RAL8019 Grey brown	RAL9007 Grey aluminium
Gasket	Silicone rubber gasket			
Fasteners	PCS polymer coated stainless steel			
Corrosion resistance	5CE			

Electrical description

Power supply	Integral [ECG] electronic driver 120V-277V. 0-10V dimmable, to be specified with order.
Driver / Ballast	Integral EC electronic converter

Additional information

Listings	ETL listed. Suitable for wet locations.
Lifetime	LED >60,000 h Ta 25°(B10/70) Control gear >50,000 h Ta 25°

Options

Light distribution Color temperature Nominal Watt

Configurations

Light distribution	Part ID	Light source	Delivered lumens	Rated input power	CRI
--------------------	---------	--------------	------------------	-------------------	-----