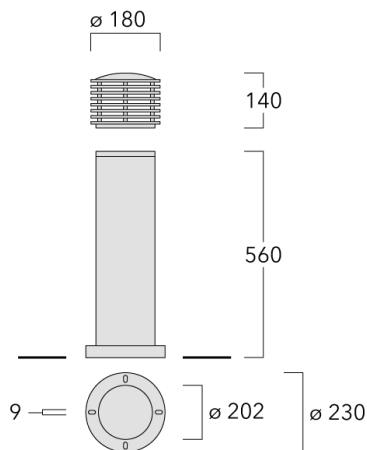




Description

IP66, Class I. IK10. Marine-grade, all-aluminium construction. 5CE superior corrosion protection including PCS hardware. Polycarbonate prismatic lens. Silicone rubber gaskets.

Integral EC electronic converter in thermally-separated compartment. Advanced thermal management protects LEDs while optimising lumens output.



Specifications

Material description



Colours	RAL9004 Signal black	RAL9016 Traffic white	RAL7016 Anthracite grey	RAL9007 Grey aluminium
Ingress protection	IP66			
Impact resistance	IK10			

Electrical description

Driver / Ballast	Integral EC electronic converter in thermally-separated compartment
------------------	---

Additional information

Options

Light distribution	Colour temperature	Nominal Watt
□	 3000K	8 W
	 4000K	

Configurations

Light distribution	Part ID	Light source	Rated lumens	Rated input power	CRI
[]	115-9214	LED-2/8W/3000K	263.1 lm	8 W	85
	115-9215	LED-2/8W/4000K	282.4 lm	8 W	85