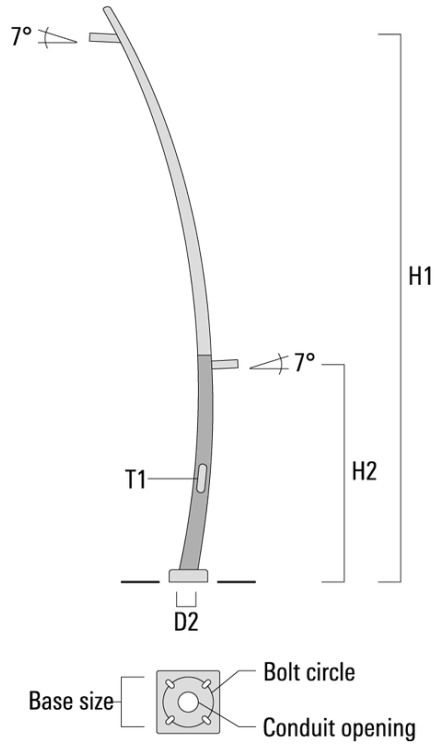




Description

Round tapered curved aluminum pole with double horizontal luminaire mounting arm. Chromated pre-treatment with superior powdercoat finish in black RAL 9004, grey metallic RAL 9007, white RAL 9016 or dark bronze RAL 8019. Specify finish. Consult WE-EF color chart for other options. Service door with tamper-proof hardware. Base plate welded to tubular shaft. Aluminum base plate cover. 2 or 3 sections depending on pole height.

Twin luminaire mounting arrangement. Specify suitable horizontal tenon for intended luminaire at top section, and the mid section.



Part ID	D2	D × L1	H1	H2	Wall Thickness	Weight (lb)
693-3625	177.8	60.45×100.08	7620	2946.4	4.83	47.63
693-3628	177.8	60.45×100.08	8534.4	4114.8	4.83	54.43